

8 7 6 5 4 3 2 1

F

F

E

E

D

D

C

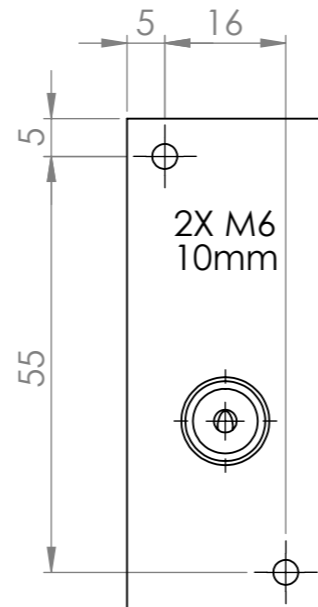
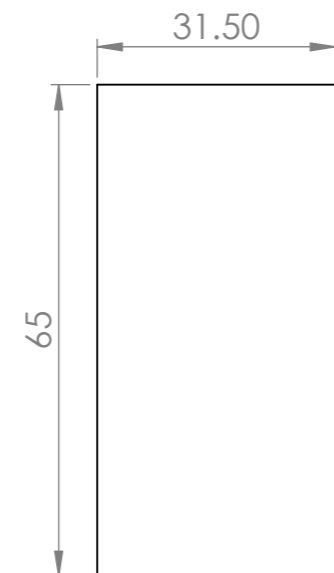
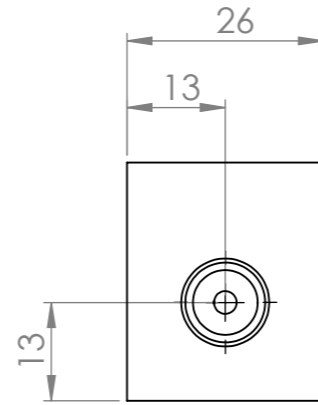
C

B

B

A

A



DO NOT SCALE DRAWING		REVISION	
TITLE:			
1-Channel			
DWG NO.		A3	
Pressure Control Solutions			
SCALE:1:1		SHEET 1 OF 1	

8 7 6 5 4 3 2 1