

8 7 6 5 4 3 2 1

F

F

E

E

D

D

C

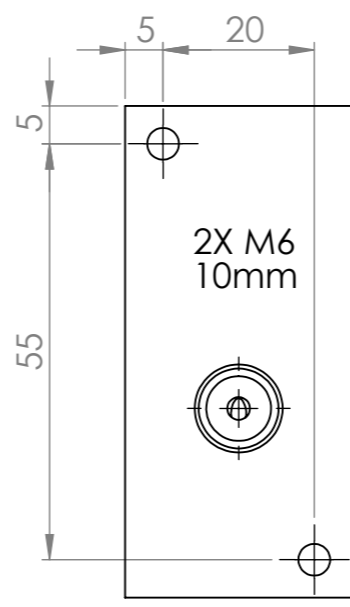
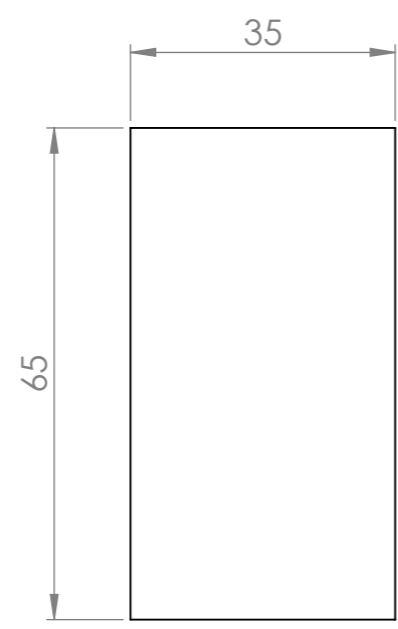
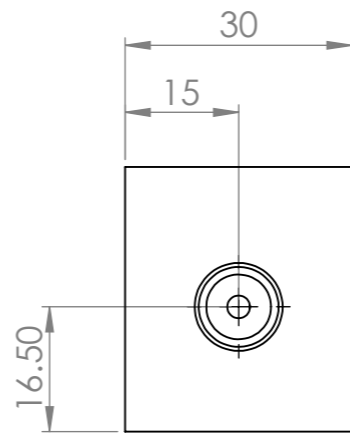
C

B

B

A

A



DO NOT SCALE DRAWING		REVISION	
TITLE: 1c-manifold			
DWG NO. Pressure Control Solutions		A3	
SCALE:1:1		SHEET 1 OF 1	

8 7 6 5 4 3 2 1